



# PRODUCT CATALOG

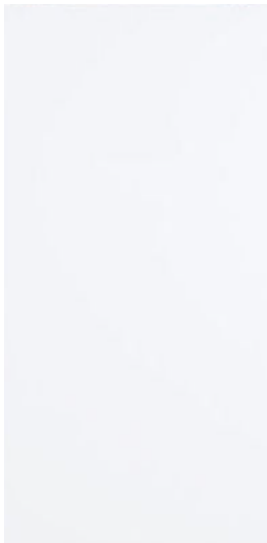


European Slab Door- Frameless Cabinets



# TABLE OF

Glossy  
White



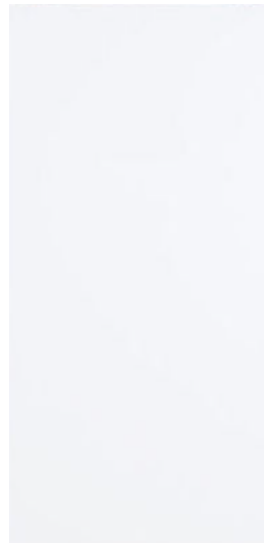
Natural  
Oak



Dark  
Walnut



Matte  
White



Matte  
Grey



Kitchen – Base Cabinets  
Pg.1 - 5



Kitchen – Wall Cabinets  
Pg. 6-10



Tall Cabinets  
Pg. 11 - 12



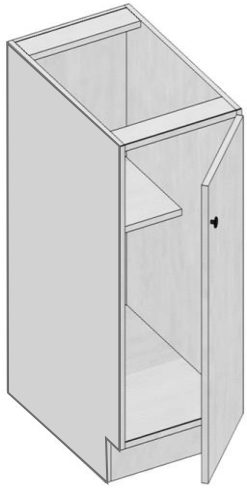
Vanity Cabinets  
Pg. 13-14



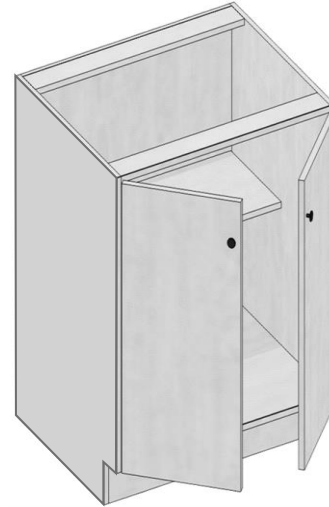
Accessories  
Pg. 15-17

# Kitchen – Base Cabinets

## Base Cabinets- Full Height Doors



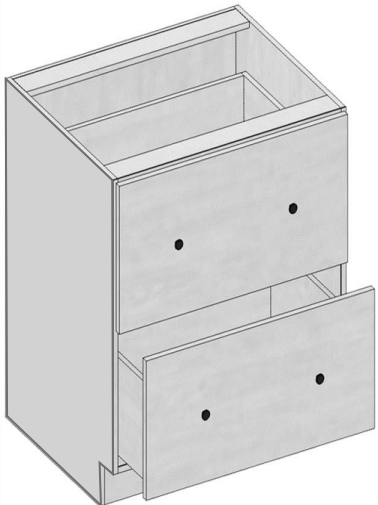
Model	B09FHD	B12FHD	B15FHD	B18FHD	B21FHD
<b>Width</b>	9"	12"	15"	18"	21"
<b>Depth</b>	24"	24"	24"	24"	24"
<b>Height</b>	34.5"	34.5"	34.5"	34.5"	34.5"
<b>Adj.Shelf</b>	1	1	1	1	1



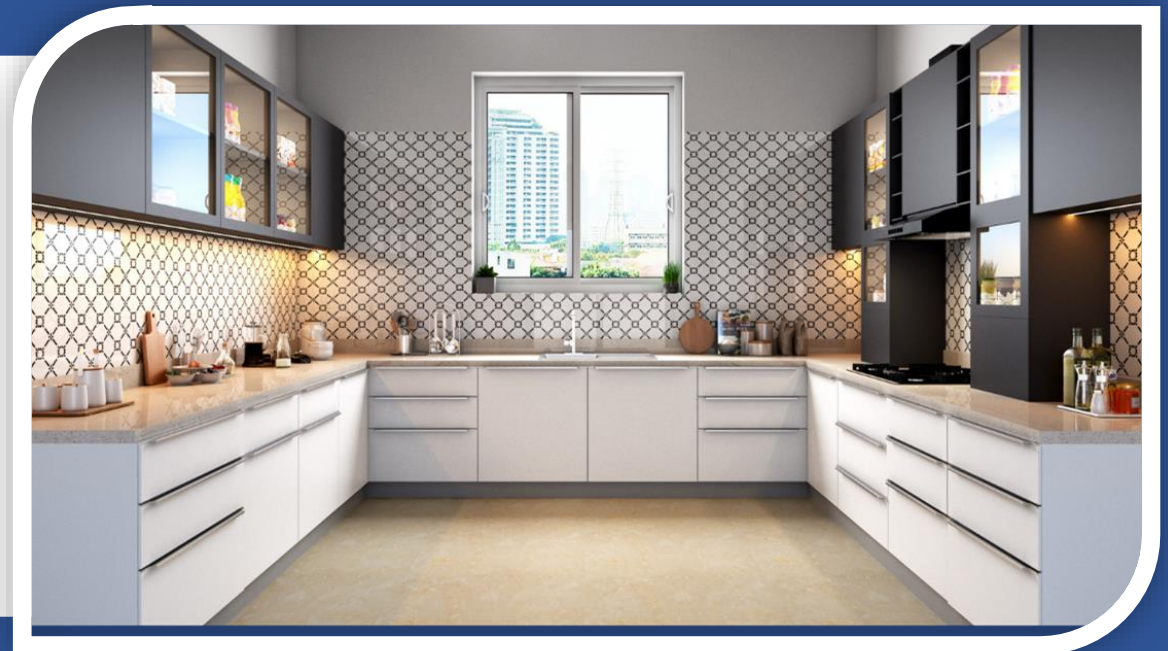
\*\*\* All base cabinets can be used as sink base

Model	B24FHD	B27FHD	B30FHD	B33FHD	B36FHD
<b>Width</b>	24"	27"	30"	33"	36"
<b>Depth</b>	24"	24"	24"	24"	24"
<b>Height</b>	34.5"	34.5"	34.5"	34.5"	34.5"
<b>Adj.Shelf</b>	1	1	1	1	1

## Base Cabinets- 2 Drawer Base

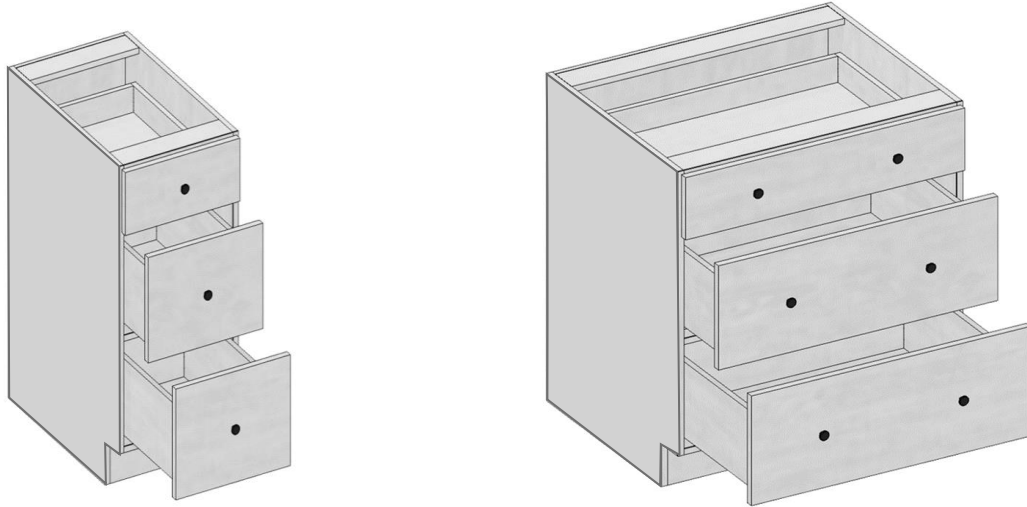


Model	2DB24	2DB30	2DB36
<b>Width</b>	24"	30"	36"
<b>Depth</b>	24"	24"	24"
<b>Height</b>	34.5"	34.5"	34.5"
<b>Drawer</b>	Top & Bottom: 15" H		



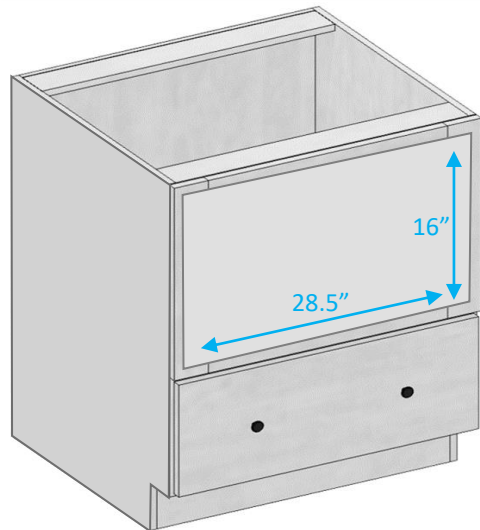
# Kitchen – Base Cabinets

## Base Cabinets- 3 Drawer Base

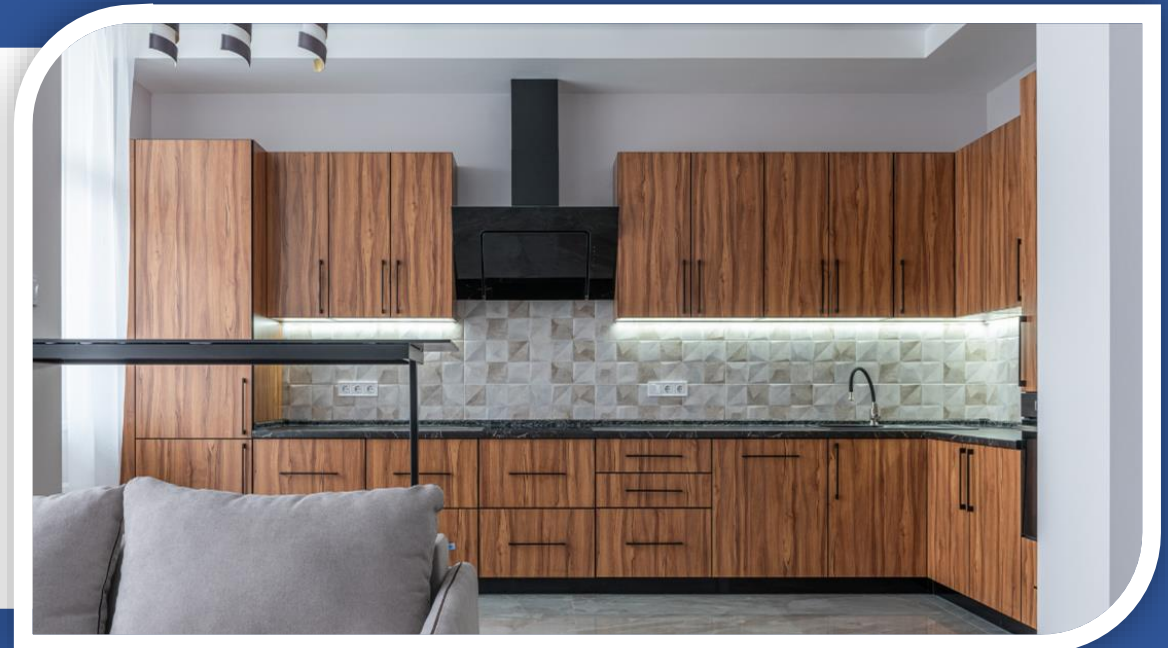


Model	DB12	DB15	DB18	DB21	DB24	DB27	DB30	DB33	DB36
Width	12"	15"	18"	21"	24"	27"	30"	33"	36"
Depth	24"	24"	24"	24"	24"	24"	24"	24"	24"
Height	34.5"	34.5"	34.5"	34.5"	34.5"	34.5"	34.5"	34.5"	34.5"
Drawer	Top: 6" H / Middle: 12"H / Bottom: 12"H								

## Base Cabinets- Microwave Base

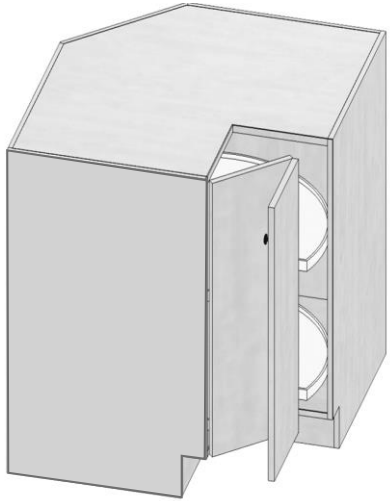


<b>Model</b>	<b>BMC30</b>
<b>Width</b>	30"
<b>Depth</b>	24"
<b>Height</b>	34.5"
<b>Open</b>	28.5"x16"



# Kitchen – Base Cabinets

## Base Cabinets- Lazy Susan

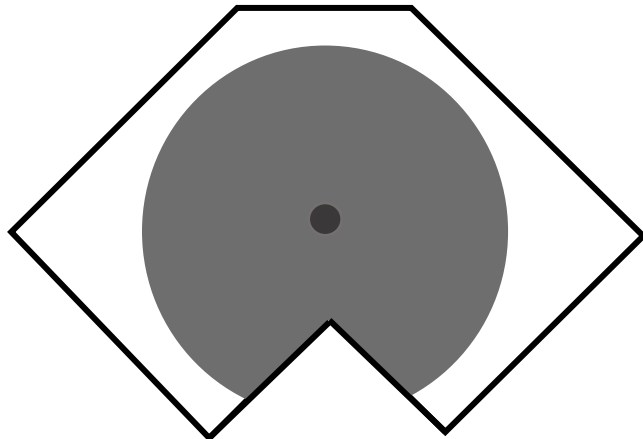


Model	BLS33	BLS36
Width	33"	36"
Depth	24"	24"
Height	34.5"	34.5"
Door size	9"	12"



## Matching Accessory Insert

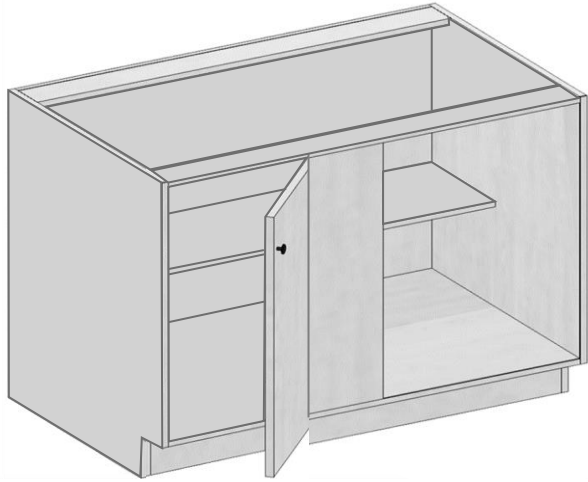
\*\*\* sold separately



Model	BCTRAY33	BCTRAY36
Trays	2	2

# Kitchen – Base Cabinets

## Base Cabinets – Blind Cabinet



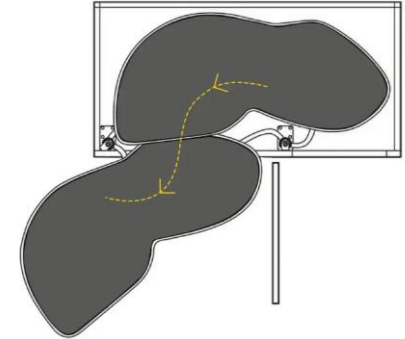
<b>Model</b>	<b>BBC42-18FHD</b>
<b>Width</b>	42"
<b>Depth</b>	24"
<b>Height</b>	34.5"
<b>Door</b>	18"
<b>Adj.Shelf</b>	1
<b>Pull</b>	3"- 6"

## Matching Accessory Insert

\*\*\* sold separately



<b>Model</b>	<b>BC-TRAY L</b>	<b>BC-TRAY-R</b>
<b>Trays</b>	2	2

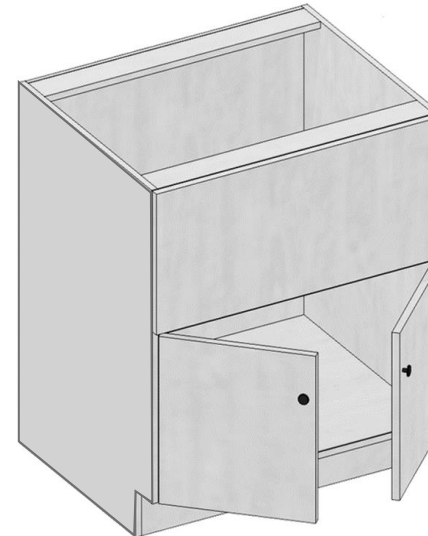


## Base Cabinets- Corner Sink Base



<b>Model</b>	<b>CSB36</b>
<b>Width</b>	36"
<b>Depth</b>	24"
<b>Height</b>	34.5"
<b>Door</b>	21"

## Base Cabinets- Farm Sink Base



<b>Model</b>	<b>FSB36</b>
<b>Width</b>	36"
<b>Depth</b>	24"
<b>Height</b>	34.5"
<b>Sink</b>	33"

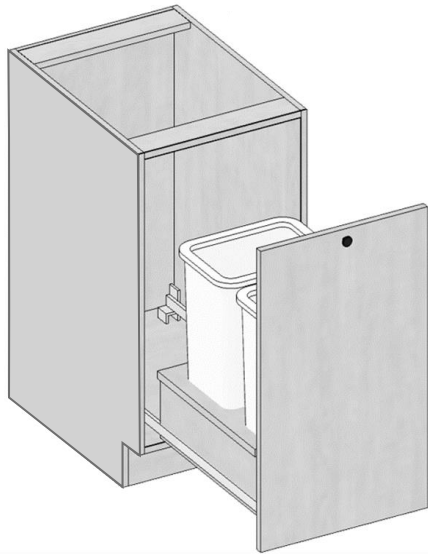
\*\*\* will have to be cut out from customer

# Kitchen – Base Cabinets

## Base Cabinets – Trash Pull out

## Matching Accessory Insert

\*\*\* sold separately



Model	B18FHD
Width	18"
Depth	24"
Height	34.5"
Bins	2

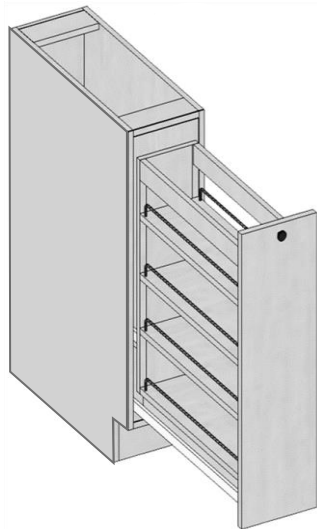


Model	Trash Kit
Bins	2

## Base Cabinets – Spice Rack

## Matching Accessory Insert

\*\*\* sold separately



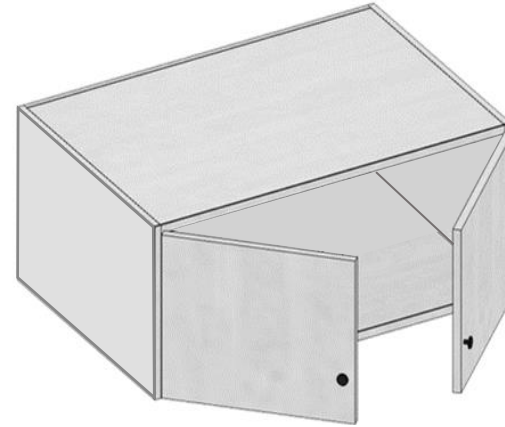
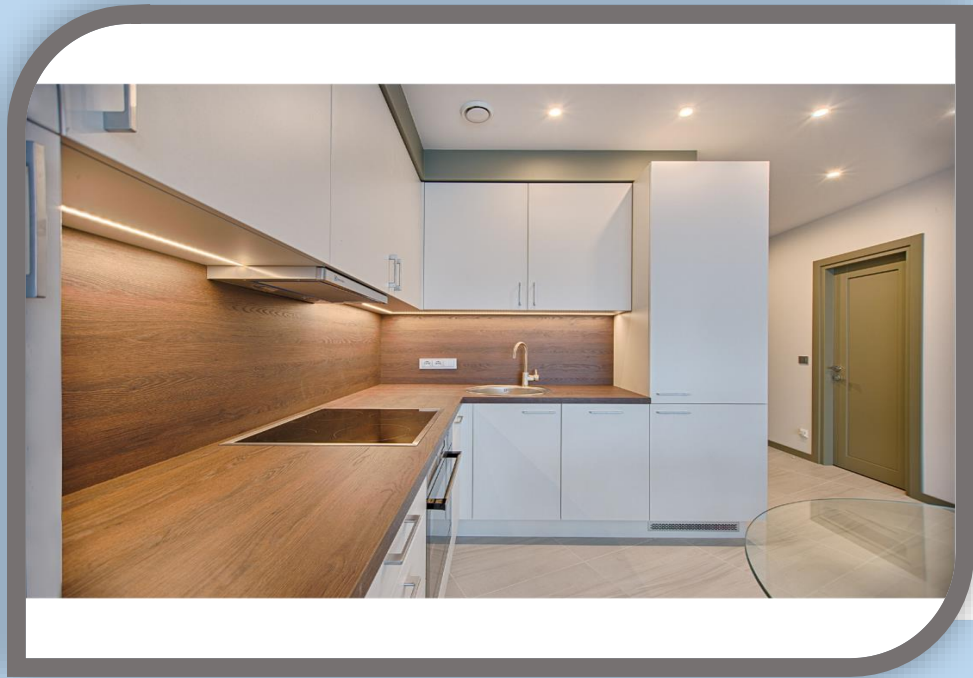
Model	SP09-L	SP09-R
Width	9"	9"
Depth	24"	24"
Height	34.5"	34.5"



Model	SR09-L	SR09-R
Tiers	3	3

# Kitchen – Wall Cabinets

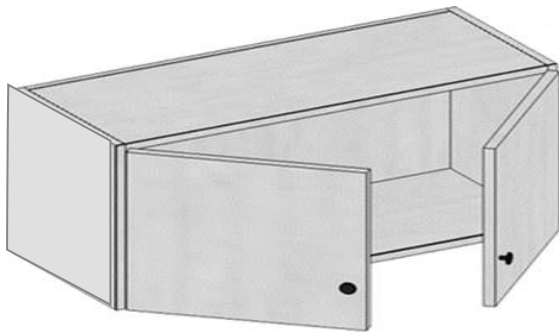
## Wall Cabinets- 24" Deep



Model	W361224	W361824	W362424
Width	36"	36"	36"
Depth	24"	24"	24"
Height	12"	18"	24"
Adj.Shelf			1

## Wall Cabinets- 36" Wide

## Wall Cabinets- 30" Wide



Model	W3612	W3618	W3624
Width	36"	36"	36"
Depth	12"	12"	12"
Height	12"	18"	24"
Adj.Shelf			1

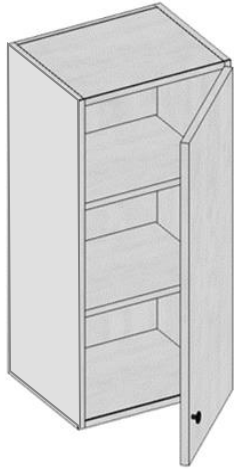


Model	W3012	W3018	W3024
Width	30"	30"	30"
Depth	12"	12"	12"
Height	12"	18"	24"
Adj.Shelf			1



# Kitchen – Wall Cabinets

## Wall Cabinets- 30" tall

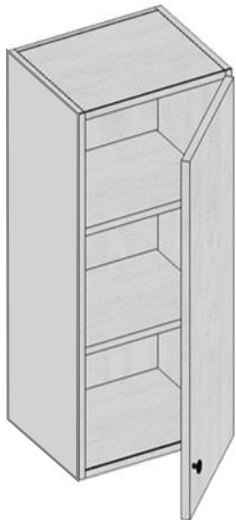


Model	W0930	W1230	W1530	W1830	W2130
Width	9"	12"	15"	18"	21"
Depth	12"	12"	12"	12"	12"
Height	30"	30"	30"	30"	30"
Adj.Shelf	2	2	2	2	2

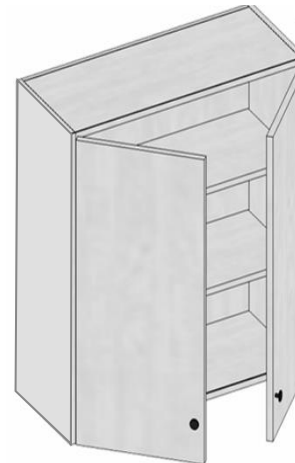


Model	W2430	W2730	W3030	W3330	W3630
Width	24"	27"	30"	33"	36"
Depth	12"	12"	12"	12"	12"
Height	30"	30"	30"	30"	30"
Adj.Shelf	2	2	2	2	2

## Wall Cabinets- 36" tall



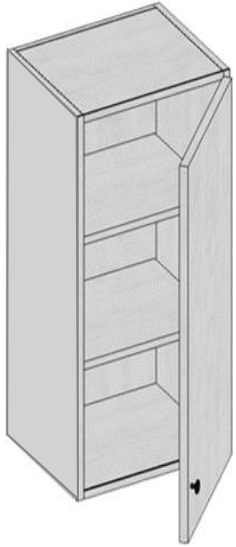
Model	W0936	W1236	W1536	W1836	W2136
Width	9"	12"	15"	18"	21"
Depth	12"	12"	12"	12"	12"
Height	36"	36"	36"	36"	36"
Adj.Shelf	2	2	2	2	2



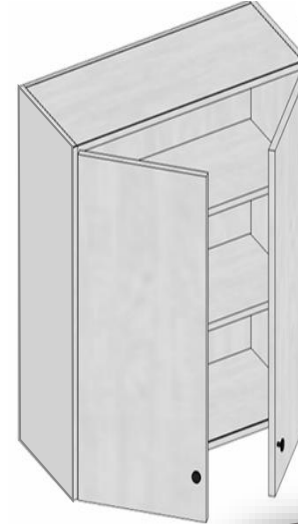
Model	W2436	W2736	W3036	W3336	W3636
Width	24"	27"	30"	33"	36"
Depth	12"	12"	12"	12"	12"
Height	36"	36"	36"	36"	36"
Adj.Shelf	2	2	2	2	2

# Kitchen – Wall Cabinets

## Wall Cabinets- 42" tall

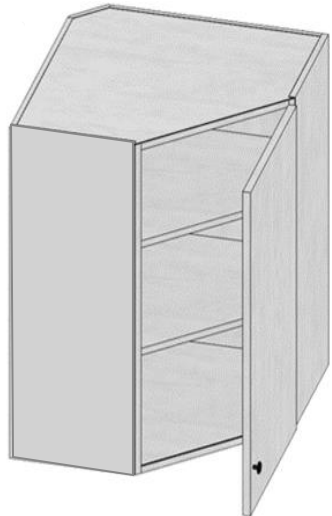


Model	W0942	W1242	W1542	W1842	W2142
Width	9"	12"	15"	18"	21"
Depth	12"	12"	12"	12"	12"
Height	42"	42"	42"	42"	42"
Adj.Shelf	2	2	2	2	2



Model	W2442	W2742	W3042	W3342	W3642
Width	24"	27"	30"	33"	36"
Depth	12"	12"	12"	12"	12"
Height	42"	42"	42"	42"	42"
Adj.Shelf	2	2	2	2	2

## Wall Cabinets- Corner Diagonal



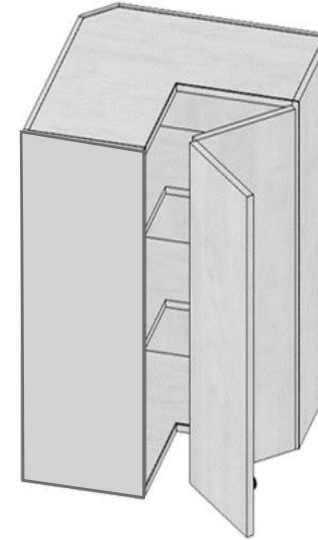
Model	WDC243012	WDC243612	WDC244212
Width	24"	24"	24"
Depth	24"	24"	24"
Height	30"	36"	42"
Adj.Shelf	2	2	2
Door	15.75"		



# Kitchen – Wall Cabinets

## Wall Cabinets- Corner Lazy Susan

Model	WLS243012	WLS2436	WLS2442
Width	24"	24"	24"
Depth	24"	24"	24"
Height	30"	36"	42"
Adj.Shelf	2	2	3



## Metal Frame – Glass Door



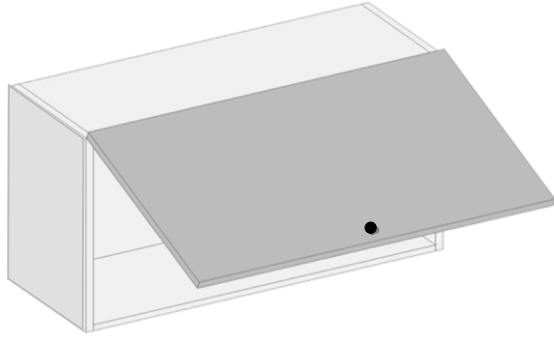
Model	WG1230	WG1530	WG1830	WDCG243012
Width	12"	15"	18"	15.5"
Depth	3/4"	3/4"	3/4"	3/4"
Height	30"	30"	30"	30"

Model	WG1236	WG1536	WG1836	WDCG243612
Width	12"	15"	18"	15.5"
Depth	3/4"	3/4"	3/4"	3/4"
Height	36"	36"	36"	36"

Model	WG1242	WG1542	WG1842	WDCG244212
Width	12"	15"	18"	15.5"
Depth	3/4"	3/4"	3/4"	3/4"
Height	42"	42"	42"	42"

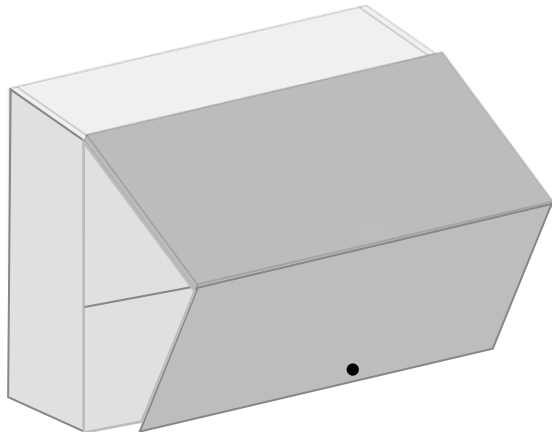
# Kitchen – Wall Cabinets

## Horizontal Wall Cabinets- Lift Up

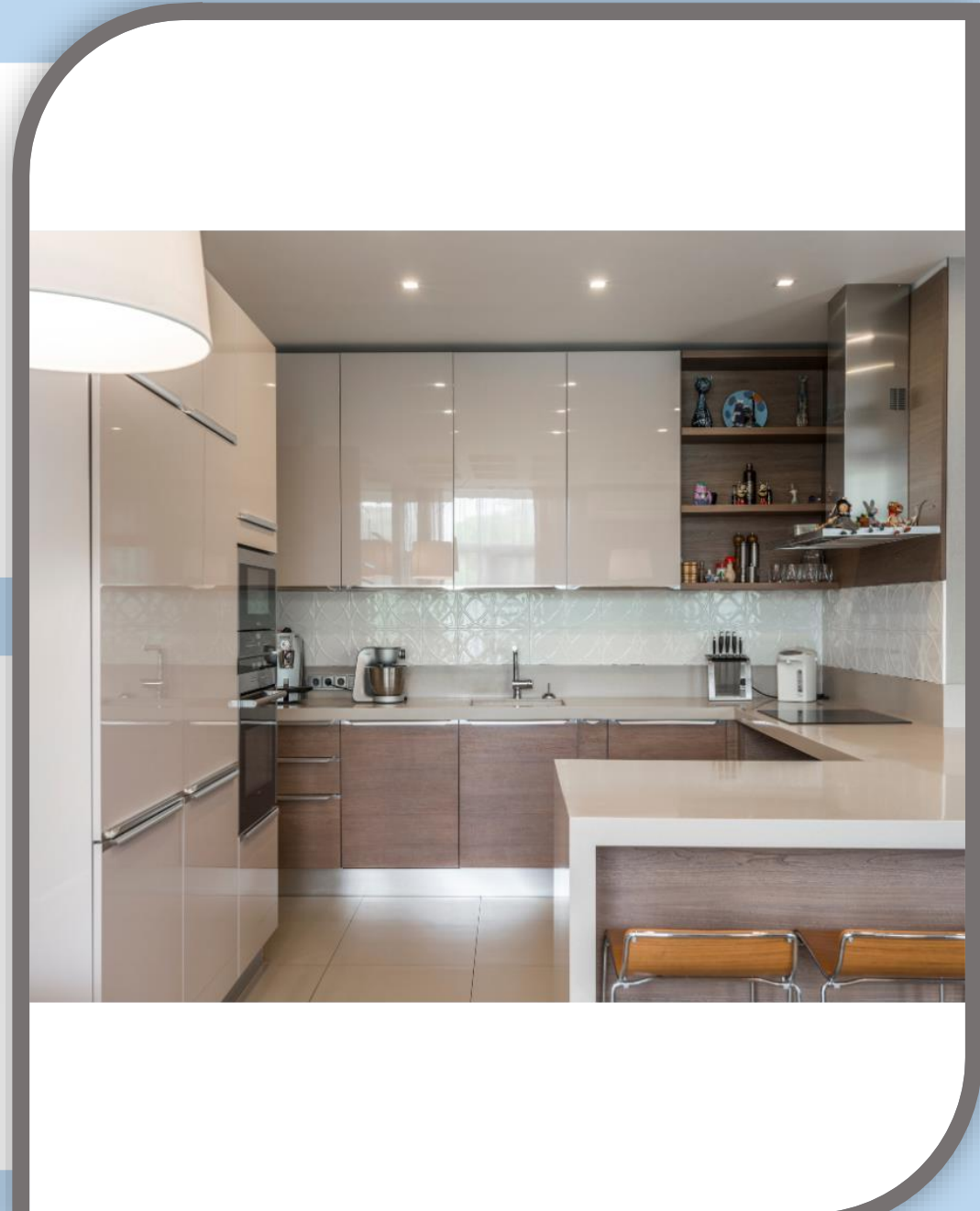


Model	W3015BF	W3018BF
Width	30"	36"
Depth	12"	12"
Height	15"	18"
Adj.Shelf	0	0

## Horizontal Wall Cabinets- Bi-Fold Lift Up

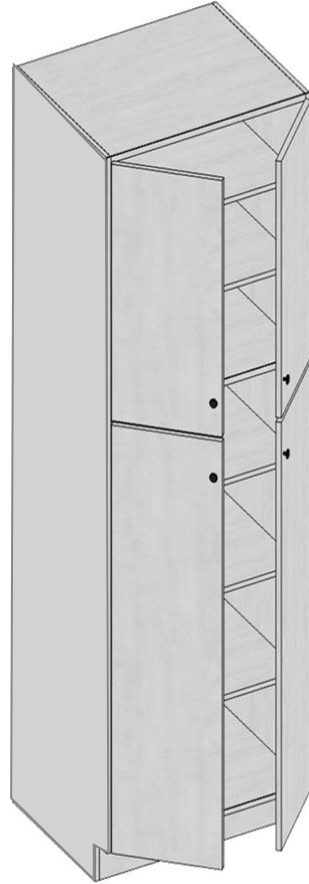


Model	W3030BF	W3630BF	W3036BF	W3636BF
Width	30"	36"	30"	36"
Depth	12"	12"	12"	12"
Height	30"	30"	36"	36"
Adj.Shelf	2	2	2	2



# Kitchen – Tall Cabinets

## Tall Cabinets- Pantry



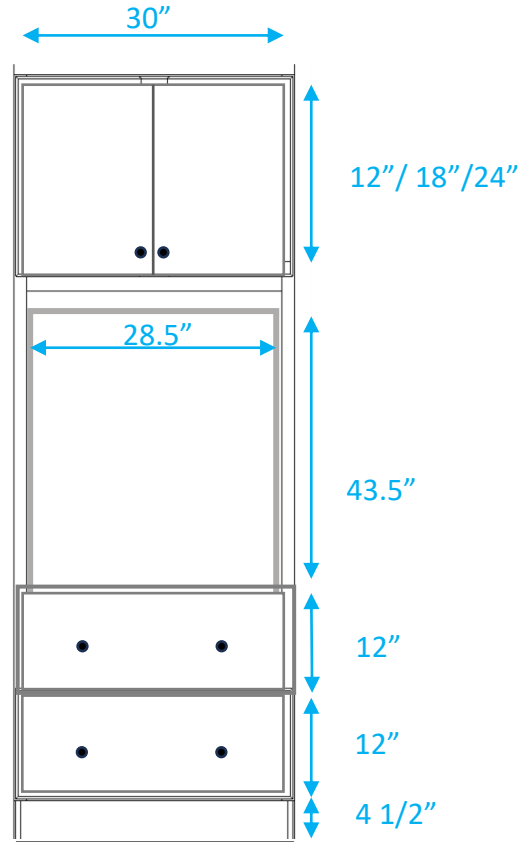
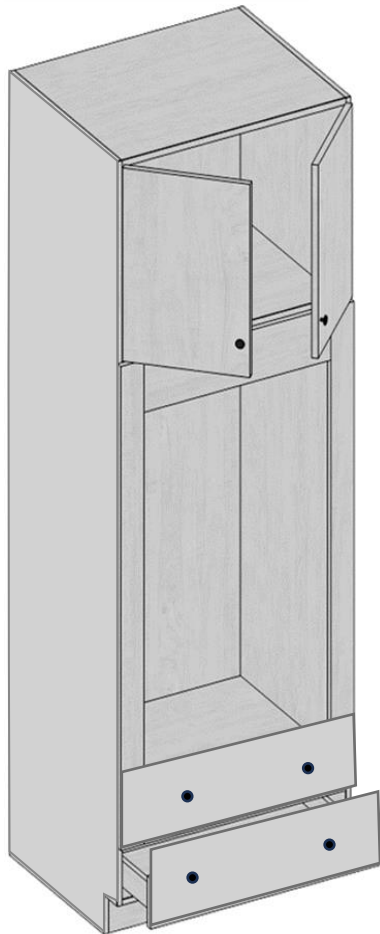
Model	PC188424	PC189024	PC189624
Width	18"	18"	18"
Depth	24"	24"	24"
Height	84"	90"	96"
Adj.Shelf	3	4	4
Doors	30"H / 49" H	36"H / 49" H	42"H / 49" H

Model	PC248424	PC249024	PC249624
Width	24"	24"	24"
Depth	24"	24"	24"
Height	84"	90"	96"
Adj.Shelf	3	4	4
Doors	30"H / 49" H	36"H / 49" H	42"H / 49" H

Model	PC308424	PC309024	PC309624
Width	30"	30"	24"
Depth	24"	24"	24"
Height	84"	90"	96"
Adj.Shelf	3	4	4
Doors	30"H/ 49"H	36"H/ 49"H	42"H/ 49"H

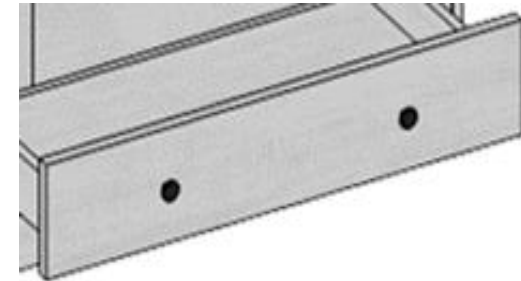
# Kitchen – Tall Cabinets

## Tall Cabinets- Oven/Microwave



\*\*\* Additional filler & drawer may be needed depending on appliance dimensions

Model	OC308424	OC309024	OC309624
Width	30"	30"	30"
Depth	24"	24"	24"
Height	84"	90"	96"
Door	12" H	18" H	24" H
Drawer	2- 11" H		
Opening	29" x 48"		



### Oven/Microwave Cabinet drawers

Model	OBD12"
Width	30"
Depth	24"
Height	12"

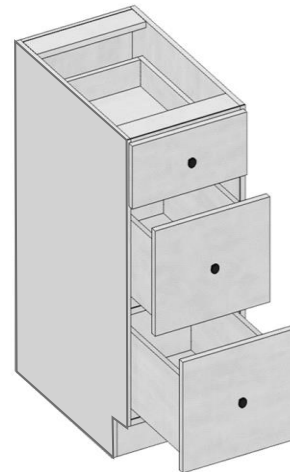
# Bathroom – Vanity Cabinets

## Vanity Cabinets- Sink Base



Model	VSB24FHD	VSB27FHD	VSB30FHD	VSB33FHD	VSB36FHD
Width	24"	27"	30"	33"	36"
Depth	21"	21"	21"	21"	21"
Height	34.5"	34.5"	34.5"	34.5"	34.5"

## Vanity Cabinets- Drawer Base

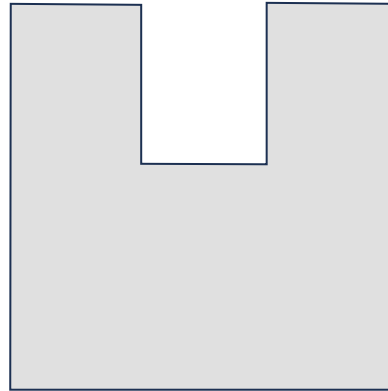
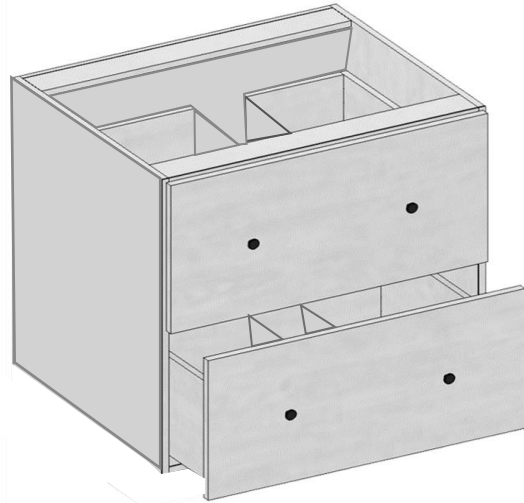


Model	VDB12	VDB15	VDB18	VDB21	VDB24
Width	12"	15"	18"	21"	24"
Depth	21"	21"	21"	21"	21"
Height	34.5"	34.5"	34.5"	34.5"	34.5"



# Bathroom – Vanity Cabinets

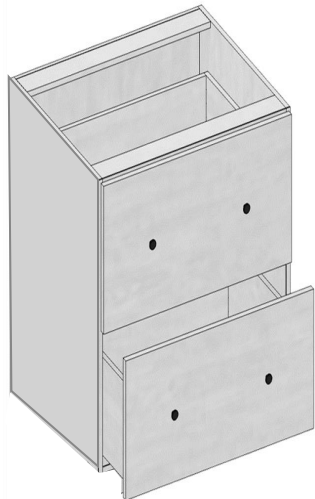
## Vanity Cabinets- Floating Vanity Drawer Sink Base



\*\*\* "U" shape drawer to go around plumbing, must confirm plumbing center

Model	FVSD24	FVSD30	FVSD36
Width	24"	30"	36"
Depth	21"	21"	21"
Height	24"	24"	24"

## Vanity Cabinets- Floating Vanity Drawer Base



Model	FVDB12	FVDB15	FVDB18	FVDB21	FVDB24
Width	12"	15"	18"	21"	24"
Depth	21"	21"	21"	21"	21"
Height	24"	24"	24"	24"	24"



Model	FVSB24	FVSB27	FVSB30	FVSB33	FVSB36
Width	24"	27"	30"	33"	36"
Depth	21"	21"	21"	21"	21"
Height	24"	24"	24"	24"	24"

## Vanity Cabinets- Floating Vanity Sink Base



# Accessories

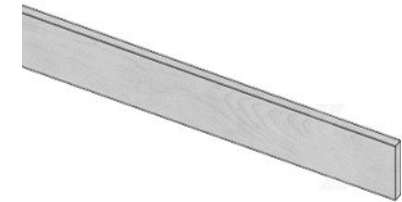
## Dishwasher Panel

## Toe Kick



Model	DWR3
Width	3"
Depth	24"
Height	34.5"

Model	TK8
Width	4.5"
Depth	0.25"
Height	96"



## Fillers



Model	TF384	TF390	TF696
Width	3"	3"	3"
Depth	0.75"	0.75"	0.75"
Height	84"	90"	96"

Model	TF684	TF690	TF696
Width	6"	6"	6"
Depth	0.75"	0.75"	0.75"
Height	84"	90"	96"



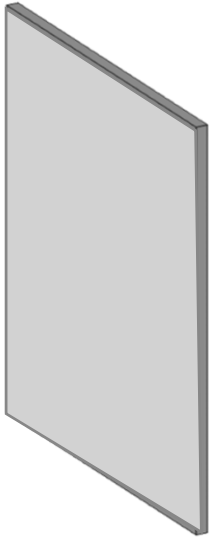
Model	WF3 30	WF3 36	WF3 42
Width	3"	3"	3"
Depth	0.75"	0.75"	0.75"
Height	30"	36"	42"

Model	WF6 30	WF6 36	WF6 42
Width	6"	6"	6"
Depth	0.75"	0.75"	0.75"
Height	30"	36"	42"

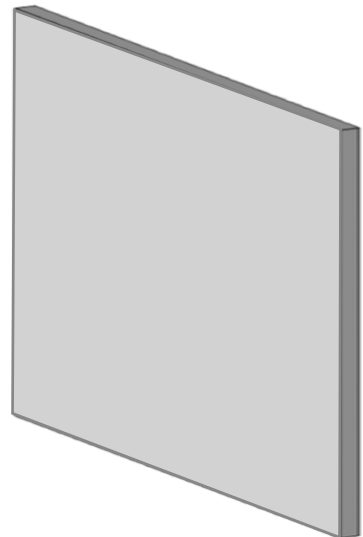


# Accessories

## End Panel



<b>Model</b>	<b>PANEL 34.5"*26"*3/4"</b>
<b>Width</b>	26"
<b>Depth</b>	3/4"
<b>Height</b>	34.5"

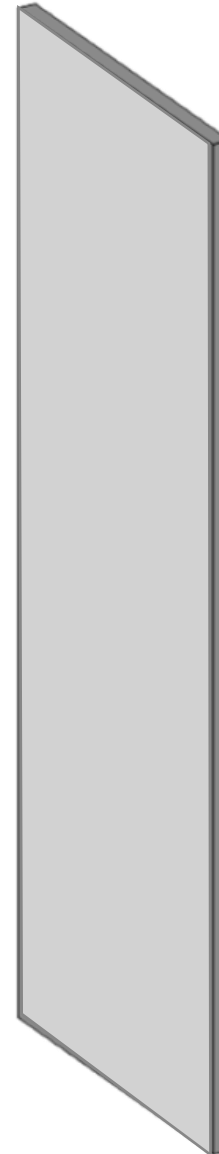


<b>Model</b>	<b>PANEL 34.5"*36"*3/4"</b>
<b>Width</b>	36"
<b>Depth</b>	3/4"
<b>Height</b>	34.5"

\*\*\* Used for double sided island 24" & 12" back to back

## Skin Panel

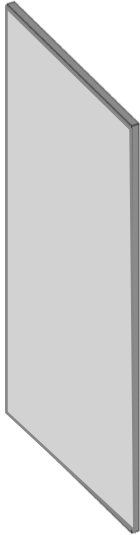
## Refrigerator Panel



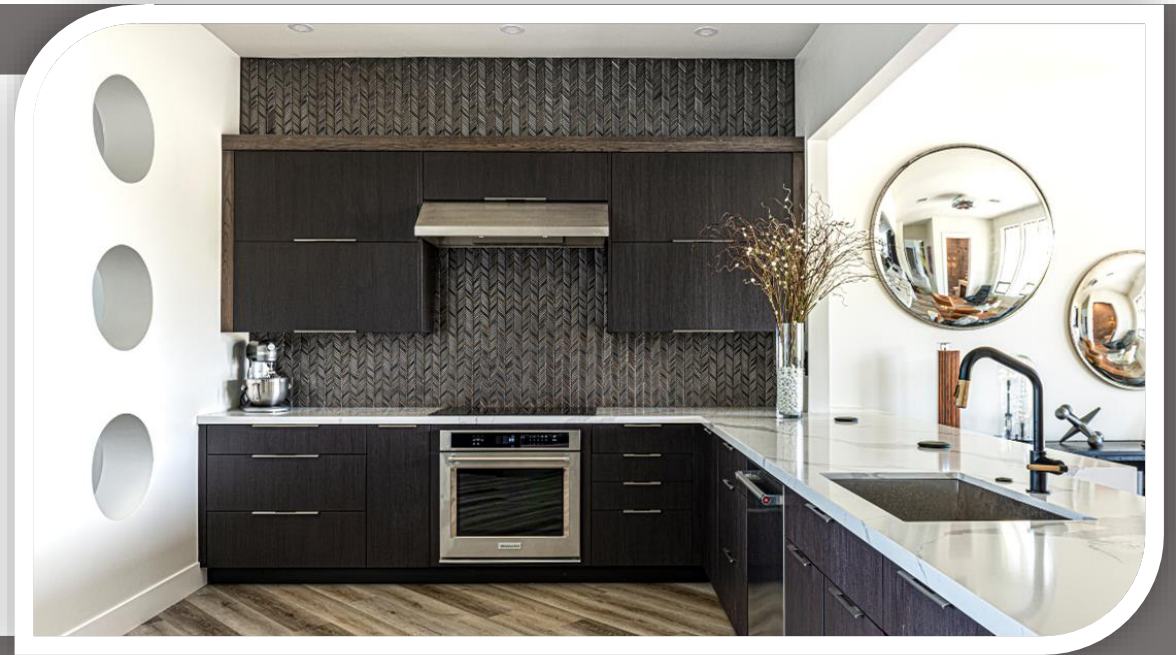
<b>Model</b>	<b>PANEL 34.5"*96"*3/4"</b>
<b>Width</b>	34.5"
<b>Depth</b>	3/4"
<b>Height</b>	96"

<b>Model</b>	<b>REP8425</b>	<b>REP9025</b>	<b>REP9625</b>
<b>Width</b>	25"	25"	25"
<b>Depth</b>	3/4"	3/4"	3/4"
<b>Height</b>	84"	90"	96"

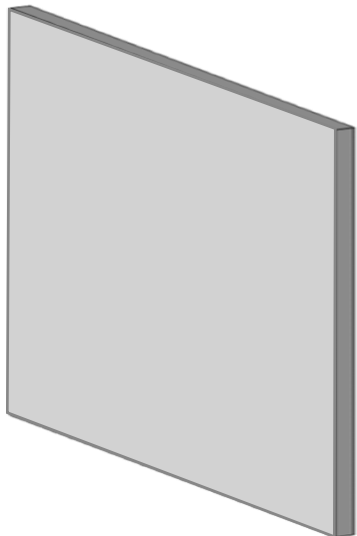
## Wall End Panel



Model	FD1330	FD1336	FD1342
Width	13"	13"	13"
Depth	3/4"	3/4"	3/4"
Height	30"	36"	42"

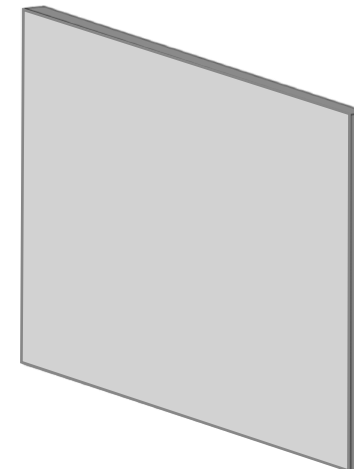


## Base End Panel



Model	BFD25	BFD22
Width	25"	22"
Depth	3/4"	3/4"
Height	34.5"	34.5"

## Floating Vanity End Panel



Model	FVFD22
Width	22"
Depth	3/4"
Height	24"